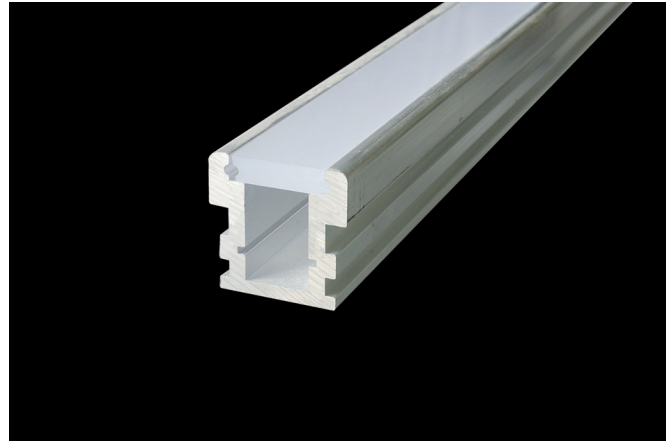




## Lampas Out LED profiles

LED luminaire with flexible or hard strips up to 11,5 mm. Body made of aluminium profile. Luminaire designed for lighting and illuminating certain areas (different types of pavements, sidewalk surfaces, communication routes, bike lanes, drive-ways, parking lots). Profile construction makes it durable and sturdy, resistant to standard loads.



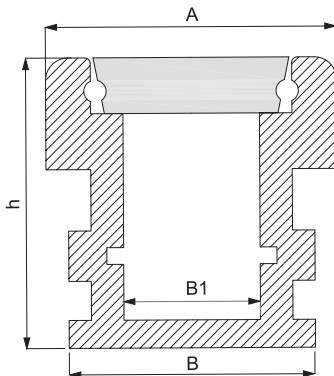
### Pictograms:



### Main parameters:

Name	Luminous LED flux [lm]	Power of luminaire [W]	Color [K]	Voltage DC [V]	Length of profile [mm]
LAMPAS OUT	266	4,56	Warm white / Neutral white	12	1000
LAMPAS OUT	-	14,16	RGB	12	1000
LAMPAS OUT	532	9,12	Warm white / Neutral white	12	2000
LAMPAS OUT	-	28,08	RGB	12	2000

### Technical drawing:



Material:	<b>aluminum</b>
Dimensions [mm]:	<b>A=26 / B=11,2 / B1=12 / h=26</b>
Diffuser: *	<b>PLX (PMMA opal)</b>

### Accessories:



End Cap



End Cap PCV with hole

Note: The given power applies to the entire system (+/- 10% tolerance).  
Specifications are subject to change. Pictures of the luminaires may differ from reality.  
The given luminous flux applies to LED sources (tolerance +/- 10% in relation to the value of the color temperature).  
Date of last update: 05.08.2019